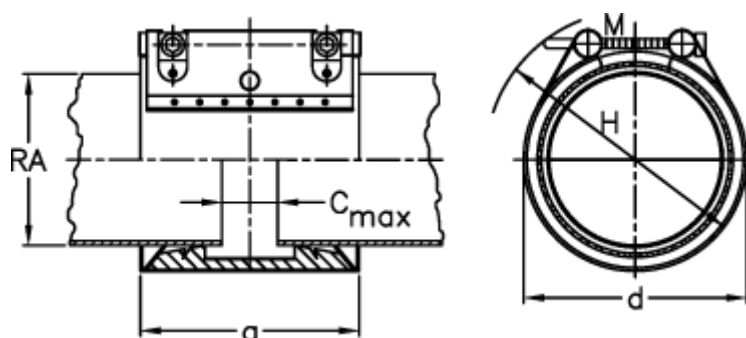


Article number: 025848460129

Description: Norma Connect pipe coupling  
COMBI GRIP GL W2 Ø129,0/125 NBR 16 bar

## Measures



a = 115.0

C max with insertion band = 35

d = 155

H = 185

M (screw) = M12

Nominal pressure (bar) = 16

RA = 129,0/125,0

RA min-RA max metal = 127,8/131,0

RA min-RA max plastic = 123,0-126,0

Weight a piece = 3.2